

X5 Wired Tech-Note

Wired Mobile HMI 5" Resistive Touch, Emergency Stop, Keypad

- 5" TFT color display
- 480x272 pixel resolution, 64K colors
- Resistive touchscreen
- Emergency Stop button with illumination
- 3-Positions Enabling Switch
- 19 User-programmable Selection Keys
- 2 USB Host
- 3D Accelerometer



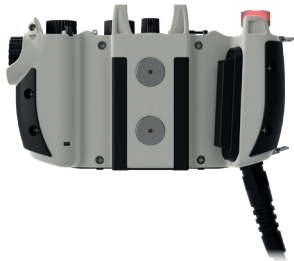
Highlights

The X5 Mobile HMI is a safety-approved device with a compact and lightweight design. It is the ideal product where the fatigue of the operator is important to reduce so that human errors do not occur. The illuminated emergency stop button is a great device to guarantee safety.

Integrated devices (keyboard, potentiometers, handwheel) can be fully programmed assuring a quick use with your automation project. X5 is fully programmable with JMobile.

Equipped with a 5" display, resistive touchscreen and multitouch interface allows intuitive operability offering a great user experience.

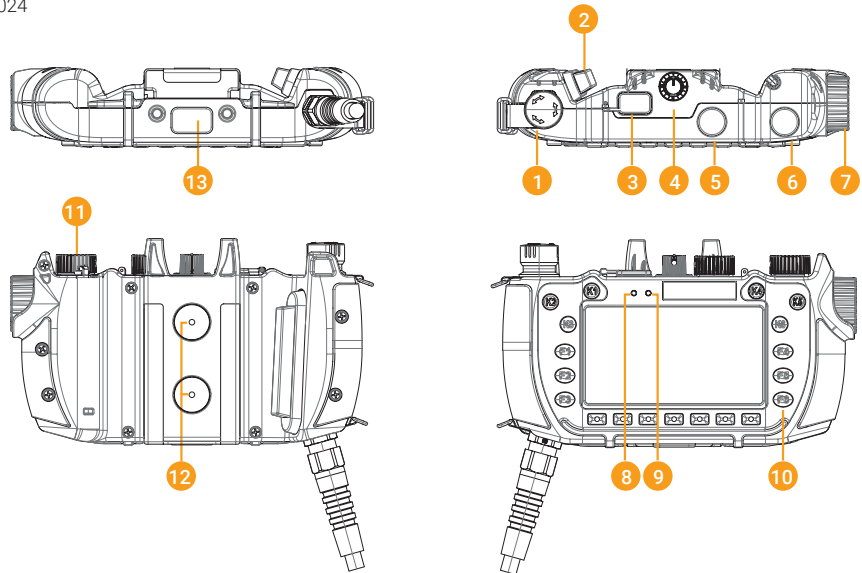
X5 Wired - Technical Data



System Resources	
Display - Colors	5" TFT LED - 64K colors
Resolution	480x272
Brightness	300 Cd/m ² typ.
Dimming	Yes
Touchscreen	Resistive
CPU	32-bit RISC Single Core 528 MHz
Operating System	Linux 4.14
Flash	4 GB
RAM	512 MB
FRAM	32 KB
Real Time Clock, RTC Back-up	Yes, rechargeable Lithium battery (not user-replaceable)
Handwheel	Yes
Potentiometer	2 (Optional)
Selector Rotary Switch	16 positions (Optional)
Emergency Stop Button	Yes, illuminated
Enabling Button	3 positions
Status Indicators	1 bi-color LED
Keys	19 user-programmable
Sensors	3-axis Accelerometer
Buzzer	Yes
Interface	
Ethernet	1 (port 0 - 10/100)
USB	2 Host V2.0, 250mA max
Ratings	
Power supply	24 Vdc (18 to 30 Vdc)
Current Consumption	0.25 A at 24 Vdc (max.)
Input Protection	Automatic
Battery	Rechargeable Lithium battery, not user-replaceable
Environment Conditions	
Operating Temperature	+5 to +45°C
Storage Temperature	-20 to +70°C
Operating / Storage Humidity	5-85% RH, non condensing
Protection Class	IP64
Dimensions and Weights	
Faceplate LxH	220x130 (8.66" + 5.12")
Depth D+T	50 mm (1.97")
Weight	Approx. 0.8 Kg (without cable)
Approvals	
CE	Electromagnetic Compatibility Directive 2014/30/EU (EMC)
UL*	cULus: ul61010-1 / UL61010-2-201
Safety functions	IEC 61508 / EN ISO 13849-1

* Roadmap 2024

- 1 Emergency Stop Button
- 2 Enabling Button
- 3 USB
- 4 Selector
- 5 Potentiometer 2
- 6 Potentiometer 1
- 7 Handwheel
- 8 LED 1 (Reserved)
- 9 Bicolor-LED 2
- 10 Keypad
- 11 Touchscreen pen
- 12 Hanging magnets
- 13 USB



Ordering Information

Model	Part Number	Description
X5 Wired	10100610YE-0000	X5 Wired, Ethernet, wheel, selector, potentiometers, cable 3 m, connector, weight approx. 1.3 Kg
	10100610YE-0002	X5 Wired, Ethernet, wheel, cable 5 m, connector, weight approx. 1.6 Kg
	10100610YE-0003	X5 Wired, Ethernet, wheel, cable 10 m, connector, weight approx. 2.3 Kg
	10100610YE-0001	X5 Wired, Ethernet, wheel, selector, potentiometers, cable 20 m, connector, weight approx. 3.7 Kg
X Wiring Box	10500610YE-0002	X5 Wired Connection Box, weight approx. 0.2 Kg
X Docking Cradle	10500610YE-0000	X5 Wired Docking Cradle, weight approx. 0.2 Kg