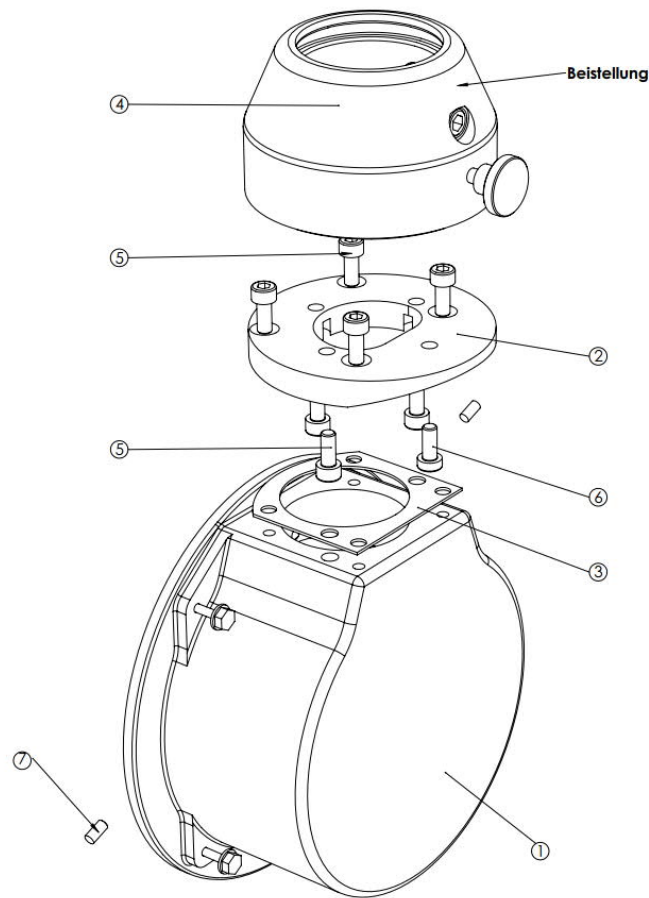




Components of the Rittal Adapter



STAINLESS STEEL PARTS			
Nr.	Amount [pc.]	Item Number	Benennung
1	1	100900	Flange Rittal Adapter
2	1		Adapter Coupling CP 40
3	1		Sealing
4	1	100593	Rittal Coupling CP 40, Stainless steel (provision)
5	7	100995	Cylinder head screw DIN 912-M5x12-A2
6	1	100996	Cylinder head screw DIN 6912-M5x12-A2
7	2	100994	Straight pin DIN 7-4m6x8-A2
8	4	100722	Thin shaft screw M4x20

RUBBER PARTS			
Nr.	Amount [pc.]	Item Number	Benennung
	1	100404	SET: Sealing grommet
	1	100727	EPDM sealing reing Shore A 60° 161x1,5 (Øxh in mm)
	4	100875	Hygienic washer 4,1 x 9,7 black

Mounting options



Technical drawings – Rittal Adapter

