

Data Sheet Control Panel Trunking DIN halogen-free

according to:

VDE 0604 2-3 EN 50085-2-3

Tested and certificated according to:

UL* and GL*

stand: 03.2017

The control panel trunking DIN halogen-free is manufactured with extrusion method and made of a blend of polycarbonate and ABS. It is then punched.

Properties:

Material:	PC/ ABS blend, free of halogen, silicon and cadmium (RoHS conform)		
Operation temperature:	static:	-25°C...+90°C (permanently)	
		-30°C...+110°C (briefly)	
	dynamic:	-5°C...+60°C	
Processing temperature:	>0°C		
Fire behaviour:	hard to inflame	DIN 4102	Level B1
	self-extinguishing	UL94	V0
	flammability class	DIN 5510-2	S4
	flammability class	NF F 16-101	M1
	smoke emission classification	DIN 5510-2	SR2
	smoke emission	EN ISO 5656-2	D _{s/max} = 40 (HL3)
	drop-ability class	DIN 5510-2	ST2
	flue gas density and toxicity	NF F 16-101	F2
	toxicity	NF X 70-100	CIT = 0,09 (HL3)
	oxygen index	ISO 4589-2	30,6% (HL2)
	fire load		5,2 kWh/kg
Classification	according to DIN EN 45545-2 (R22/R23) by total	Hazard Level 2 (HL2)	
Dielectric strength:	>30kV/mm		
UV- resistance:	PC/ ABS blend is partly UV- resistant, colour changes in case of UV- exposure cannot be excluded		
Colour:	RAL 7035 grey		
Delivery lengths:	2 m incl. cover		

Specific Features:

- cover contour 90°
- cable hold- back noses from installation height 75 mm onwards
- slid width 7,5 mm; slot width 5 mm
- notch points at the slids of trunking
- perforated base according to DIN 50085-2-3, identical punch picture for each length
- 3- lane perforated base from width 75 mm upwards
- for accessories and further information please visit our homepage www.licatec.de

Data Sheet Control Panel Trunking DIN halogen-free

according to:

VDE 0604 2-3 EN 50085-2-3

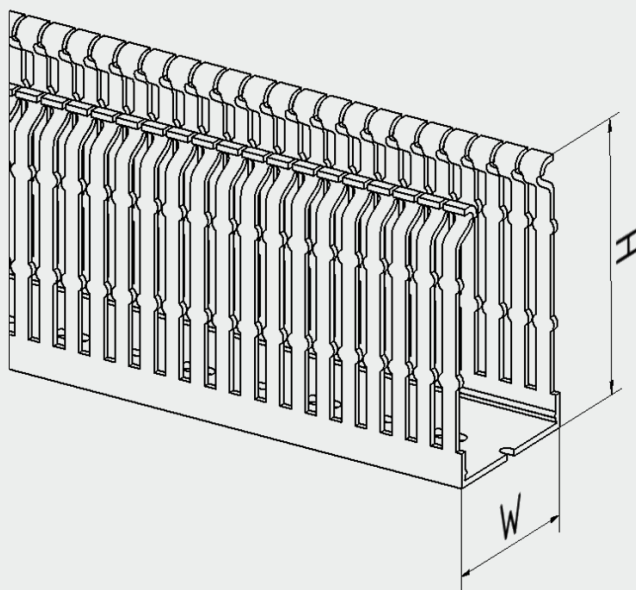
Tested and certificated according to:

UL* and GL*

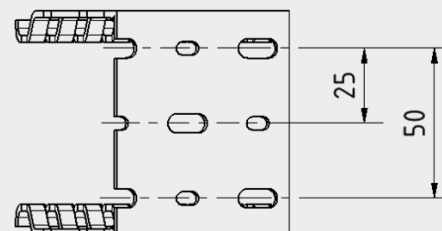
stand: 03.2017

Dimensions:

DIN- HF	Height (H) mm	Width (W) mm				
	25*	25				
37,5*	25	37,5	50			
50*	25	37,5	50	75	100	
75*	25	37,5	50	75	100	125
100			50	75	100	



Width 75 upwards



Up to width 50

