

LED Aufbauleuchte LR40 190

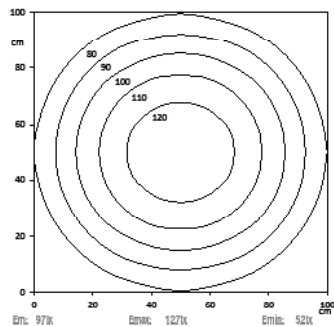
LED surface mtd. luminaire LR40 190

LED Maschinenleuchte in Linienform mit 24V Betriebsspannung
LED machine luminaire line shaped with 24V operating voltage.

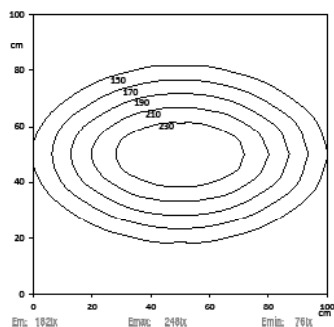


Lichtverteilung | Light distribution

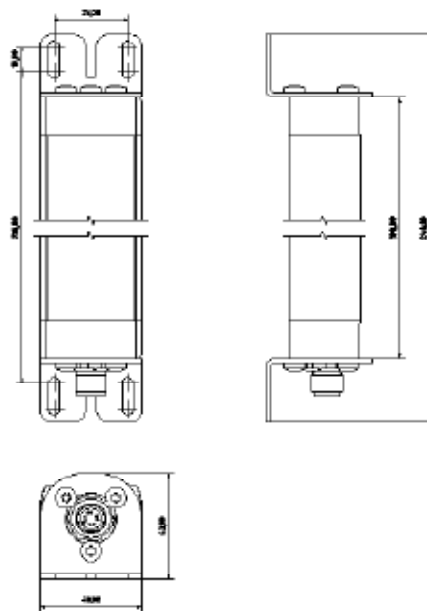
Lichtpunkthöhe | Metering distance: 100cm



Lichtpunkthöhe | Metering distance: 100cm
30°



Dimensionierung | Dimensions



Technische Daten | Technical data

Leistung: Power:	5W 5W
Anschlusswert: Connection value:	24V DC (-10%/+15%) 24V DC (-10%/+15%)
Anschluss Connection type:	Steckverbinder M12 5pol. A codiert connector M12 5pol. A coded
Gehäuse: Housing:	Aluminium eloxiert anodized aluminium
Schutzart: Protection rating:	IP67 IP67
Schutzklasse: Protection class:	III III
Abdeckung: Cover: diffuse	PMMA oder ESG diffus safety glass or PMMA
Farbtreue: Color rendering:	Ra / CRI ≥ 80 Ra / CRI ≥ 80
Lebensdauer: Durability:	min. 60 000h min. 60 000h
Max. Umgebungstemperatur: Max. ambient temperature:	-20°C / +45°C -20°C / +45°C
Optik: Optics:	120° Optik 120° optics
Belegung: Pin assignment:	1 = DC (+) br br 2 = Eco (DC+) ws wh 3 = DC (-) bl bl 4 = NC 5 = NC

Normen / Approbationen Standards / Approvals

DIN EN 55015 (EMV)
DIN EN 61547 (EMV)
DIN EN 60598-1
DIN EN 62471



Nomenklatur Nomenclature	Katalognr. Catalogue no.	Abdeckung Cover	Optik Optics	Lichtstrom Luminous flux	Lichttemperatur Light temp.
-----------------------------	-----------------------------	--------------------	-----------------	-----------------------------	--------------------------------

Drehbare Halterung | Turnable mounting

LED LR40 190 PMMA-d-0-M12-57	15070521	PMMA diffus PMMA diffuse	120° Optik 120° optics	ca. 489 lm	5.700K
LED LR40 190 ESGd-0-M12-57	15070522	ESGd diffus safety glass diffuse	120° Optik 120° optics	ca. 489 lm	5.700K
LED LR40 190 PMMA-d-0-M12-40	15070525	PMMA diffus PMMA diffuse	120° Optik 120° optics	ca. 489 lm	4.000K
LED LR40 190 ESGd-0-M12-40	15070526	ESGd diffus safety glass diffuse	120° Optik 120° optics	ca. 489 lm	4.000K
LED LR40 190 ESGd-30-M12-57	15070552	ESGd diffus safety glass diffuse	30° Optik 30° optics	ca. 489 lm	5.700K
LED LR40 190 ESGd-30-M12-40	15070554	ESGd diffus safety glass diffuse	30° Optik 30° optics	ca. 489 lm	4.000K
LED LR40 190 ESGd-60-M12-57	15070556	ESGd diffus safety glass diffuse	60° Optik 60° optics	ca. 489 lm	5.700K
LED LR40 190 ESGd-60-M12-40	15070558	ESGd diffus safety glass diffuse	60° Optik 60° optics	ca. 489 lm	4.000K

Drehbare Halterung mit zweitem Flansch zum Durchschleifen | Turnable mounting with second flange for loop through

LED LR40 190 PMMA-d-0-M12D-57	15070734	PMMA diffus PMMA diffuse	120° Optik 120° optics	ca. 489 lm	5.700K
LED LR40 190 ESGd-0-M12D-57	15070735	ESGd diffus safety glass diffuse	120° Optik 120° optics	ca. 489 lm	5.700K
LED LR40 190 PMMA-d-0-M12D-40	15070736	PMMA diffus PMMA diffuse	120° Optik 120° optics	ca. 489 lm	4.000K
LED LR40 190 ESGd-0-M12D-40	15070737	ESGd diffus safety glass diffuse	120° Optik 120° optics	ca. 489 lm	4.000K
LED LR40 190 ESGd-30-M12D-57	15070750	ESGd diffus safety glass diffuse	30° Optik 30° optics	ca. 489 lm	5.700K
LED LR40 190 ESGd-30-M12D-40	15070751	ESGd diffus safety glass diffuse	30° Optik 30° optics	ca. 489 lm	4.000K
LED LR40 190 ESGd-60-M12D-57	15070752	ESGd diffus safety glass diffuse	60° Optik 60° optics	ca. 489 lm	5.700K
LED LR40 190 ESGd-60-M12D-40	15070753	ESGd diffus safety glass diffuse	60° Optik 60° optics	ca. 489 lm	4.000K

LED Aufbauleuchte LR40 365

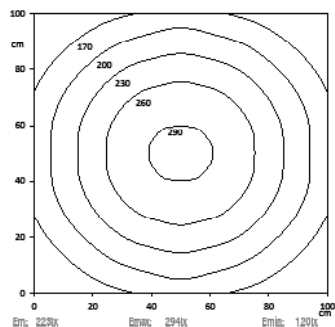
LED surface mtd. luminaire LR40 365

LED Maschinenleuchte in Linienform mit 24V Betriebsspannung
LED machine luminaire line shaped with 24V operating voltage.



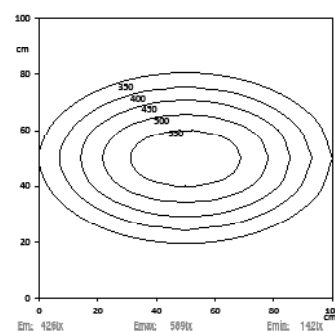
Lichtverteilung | Light distribution

Lichtpunkthöhe | Metering distance: 100cm

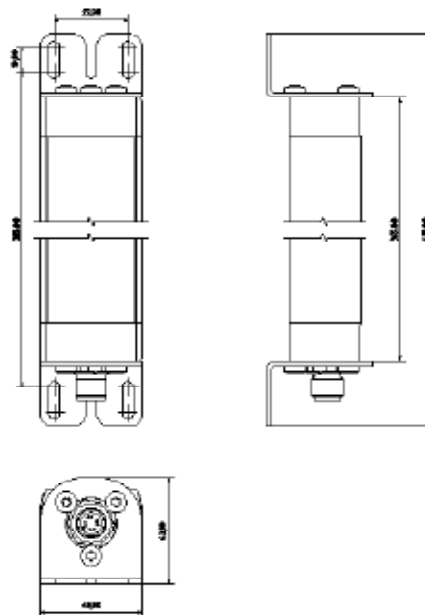


Lichtpunkthöhe | Metering distance: 100cm

30°



Dimensionierung | Dimensions



Technische Daten | Technical data

Leistung: Power:	10W 10W
Anschlusswert: Connection value:	24V DC (-10%/+15%) 24V DC (-10%/+15%)
Anschluss Connection type:	Steckverbinder M12 5pol. A codiert connector M12 5pol. A coded
Gehäuse: Housing:	Aluminium eloxiert anodized aluminium
Schutzart: Protection rating:	IP67 IP67
Schutzklasse: Protection class:	III III
Abdeckung: Cover: diffus	PMMA oder ESG diffus safety glass or PMMA
Farbtreue: Color rendering:	Ra / CRI ≥ 80 Ra / CRI ≥ 80
Lebensdauer: Durability:	min. 60 000h min. 60 000h
Max. Umgebungstemperatur: Max. ambient temperature:	-20°C / +45°C -20°C / +45°C
Optik: Optics:	120° Optik 120° optics
Belegung: Pin assignment:	1 = DC (+) br br 2 = Eco (DC+) ws wh 3 = DC (-) bl bl 4 = NC 5 = NC

Normen / Approbationen Standards / Approvals

DIN EN 55015 (EMV)
DIN EN 61547 (EMV)
DIN EN 60598-1
DIN EN 62471



Nomenklatur Nomenclature	Katalognr. Catalogue no.	Abdeckung Cover	Optik Optics	Lichtstrom Luminous flux	Lichttemperatur Light temp.
-----------------------------	-----------------------------	--------------------	-----------------	-----------------------------	--------------------------------

Drehbare Halterung | Turnable mounting

LED LR40 365 PMMAAd-0-M12-57	15070529	PMMA diffus PMMA diffuse	120° Optik 120° optics	ca. 1073 lm	5.700K
LED LR40 365 ESGd-0-M12-57	15070530	ESGd diffus safety glass diffuse	120° Optik 120° optics	ca. 1073 lm	5.700K
LED LR40 365 PMMAAd-0-M12-40	15070533	PMMA diffus PMMA diffuse	120° Optik 120° optics	ca. 1073 lm	4.000K
LED LR40 365 ESGd-0-M12-40	15070534	ESGd diffus safety glass diffuse	120° Optik 120° optics	ca. 1073 lm	4.000K
LED LR40 365 ESGd-30-M12-57	15070600	ESGd diffus safety glass diffuse	30° Optik 30° optics	ca. 1073 lm	5.700K
LED LR40 365 ESGd-30-M12-40	15070602	ESGd diffus safety glass diffuse	30° Optik 30° optics	ca. 1073 lm	4.000K
LED LR40 365 ESGd-60-M12-57	15070604	ESGd diffus safety glass diffuse	60° Optik 60° optics	ca. 1073 lm	5.700K
LED LR40 365 ESGd-60-M12-40	15070606	ESGd diffus safety glass diffuse	60° Optik 60° optics	ca. 1073 lm	4.000K

Drehbare Halterung mit zweitem Flansch zum Durchschleifen | Turnable mounting with second flange for loop through

LED LR40 365 PMMAAd-0-M12D-57	15070738	PMMA diffus PMMA diffuse	120° Optik 120° optics	ca. 1073 lm	5.700K
LED LR40 365 ESGd-0-M12D-57	15070739	ESGd diffus safety glass diffuse	120° Optik 120° optics	ca. 1073 lm	5.700K
LED LR40 365 PMMAAd-0-M12D-40	15070740	PMMA diffus PMMA diffuse	120° Optik 120° optics	ca. 1073 lm	4.000K
LED LR40 365 ESGd-0-M12D-40	15070741	ESGd diffus safety glass diffuse	120° Optik 120° optics	ca. 1073 lm	4.000K
LED LR40 365 ESGd-30-M12D-57	15070754	ESGd diffus safety glass diffuse	30° Optik 30° optics	ca. 1073 lm	5.700K
LED LR40 365 ESGd-30-M12D-40	15070755	ESGd diffus safety glass diffuse	30° Optik 30° optics	ca. 1073 lm	4.000K
LED LR40 365 ESGd-60-M12D-57	15070756	ESGd diffus safety glass diffuse	60° Optik 60° optics	ca. 1073 lm	5.700K
LED LR40 365 ESGd-60-M12D-40	15070757	ESGd diffus safety glass diffuse	60° Optik 60° optics	ca. 1073 lm	4.000K

LED Aufbauleuchte LR40 540

LED surface mtd. luminaire LR40 540

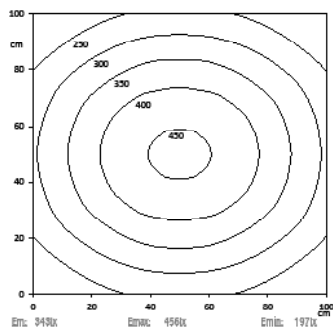
LED Maschinenleuchte in Linienform mit 24V Betriebsspannung
LED machine luminaire line shaped with 24V operating voltage.



Lichtverteilung | Light distribution

Lichtpunkthöhe | Metering distance: 100cm

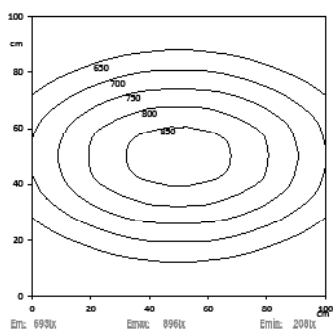
LED LR40 540



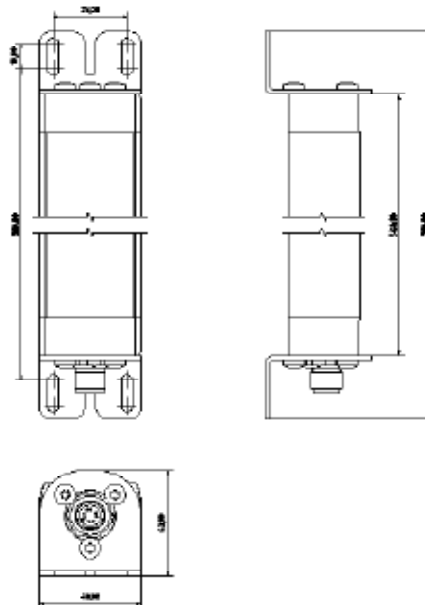
Lichtpunkthöhe | Metering distance: 100cm

LED LR40 540

30°



Dimensionierung | Dimensions



Technische Daten | Technical data

Leistung: Power:	15,1W 15,1W
Anschlusswert: Connection value:	24V DC (-10%/+15%) 24V DC (-10%/+15%)
Anschluss Connection type:	Steckverbinder M12 5pol. A codiert connector M12 5pol. A coded
Gehäuse: Housing:	Aluminium eloxiert anodized aluminium
Schutzart: Protection rating:	IP67 IP67
Schutzklasse: Protection class:	III III
Abdeckung: Cover: diffuse	PMMA oder ESG diffus safety glass or PMMA
Farbtreue: Color rendering:	Ra / CRI ≥ 80 Ra / CRI ≥ 80
Lebensdauer: Durability:	min. 60 000h min. 60 000h
Max. Umgebungstemperatur: Max. ambient temperature:	-20°C / +45°C -20°C / +45°C
Optik: Optics:	120° Optik 120° optics
Belegung: Pin assignment:	1 = DC (+) br br 2 = Eco (DC+) ws wh 3 = DC (-) bl bl 4 = NC 5 = NC

Normen / Approbationen Standards / Approvals

DIN EN 55015 (EMV)
DIN EN 61547 (EMV)
DIN EN 60598-1
DIN EN 62471



Nomenklatur Nomenclature	Katalognr. Catalogue no.	Abdeckung Cover	Optik Optics	Lichtstrom Luminous fluxx	Lichttemperatur Light temp.
-----------------------------	-----------------------------	--------------------	-----------------	------------------------------	--------------------------------

Drehbare Halterung | Turnable mounting

LED LR40 540 PMMAAd-0-M12-57	15070537	PMMA diffus PMMA diffuse	120° Optik 120° optics	ca. 1660 lm	5.700K
LED LR40 540 ESGd-0-M12-57	15070538	ESGd diffus safety glass diffuse	120° Optik 120° optics	ca. 1660 lm	5.700K
LED LR40 540 PMMAAd-0-M12-40	15070541	PMMA diffus PMMA diffuse	120° Optik 120° optics	ca. 1660 lm	4.000K
LED LR40 540 ESGd-0-M12-40	15070542	ESGd diffus safety glass diffuse	120° Optik 120° optics	ca. 1660 lm	4.000K
LED LR40 540 ESGd-30-M12-57	15070608	ESGd diffus safety glass diffuse	30° Optik 30° optics	ca. 1660 lm	5.700K
LED LR40 540 ESGd-30-M12-40	15070610	ESGd diffus safety glass diffuse	30° Optik 30° optics	ca. 1660 lm	4.000K
LED LR40 540 ESGd-60-M12-57	15070612	ESGd diffus safety glass diffuse	60° Optik 60° optics	ca. 1660 lm	5.700K
LED LR40 540 ESGd-60-M12-40	15070614	ESGd diffus safety glass diffuse	60° Optik 60° optics	ca. 1660 lm	4.000K

Drehbare Halterung mit zweitem Flansch zum Durchschleifen | Turnable mounting with second flange for loop through

LED LR40 540 PMMAAd-0-M12D-57	15070742	PMMA diffus PMMA diffuse	120° Optik 120° optics	ca. 1660 lm	5.700K
LED LR40 540 ESGd-0-M12D-57	15070743	ESGd diffus safety glass diffuse	120° Optik 120° optics	ca. 1660 lm	5.700K
LED LR40 540 PMMAAd-0-M12D-40	15070744	PMMA diffus PMMA diffuse	120° Optik 120° optics	ca. 1660 lm	4.000K
LED LR40 540 ESGd-0-M12D-40	15070745	ESGd diffus safety glass diffuse	120° Optik 120° optics	ca. 1660 lm	4.000K
LED LR40 540 ESGd-30-M12D-57	15070758	ESGd diffus safety glass diffuse	30° Optik 30° optics	ca. 1660 lm	5.700K
LED LR40 540 ESGd-30-M12D-40	15070759	ESGd diffus safety glass diffuse	30° Optik 30° optics	ca. 1660 lm	4.000K
LED LR40 540 ESGd-60-M12D-57	15070760	ESGd diffus safety glass diffuse	60° Optik 60° optics	ca. 1660 lm	5.700K
LED LR40 540 ESGd-60-M12D-40	15070761	ESGd diffus safety glass diffuse	60° Optik 60° optics	ca. 1660 lm	4.000K

LED Aufbauleuchte LR40 715

LED surface mtd. luminaire LR40 715

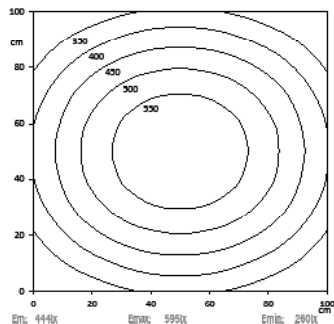
LED Maschinenleuchte in Linienform mit 24V Betriebsspannung
LED machine luminaire line shaped with 24V operating voltage.



Lichtverteilung | Light distribution

Lichtpunkthöhe | Metering distance: 100cm

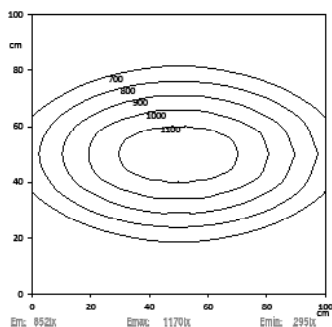
LED LR40 715



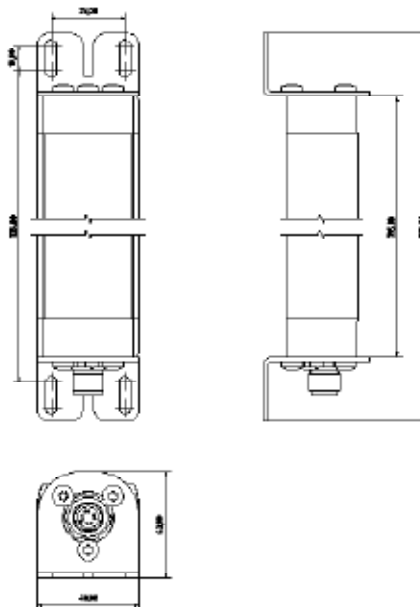
Lichtpunkthöhe | Metering distance: 100cm

LED LR40 715

30°



Dimensionierung | Dimensions



Technische Daten | Technical data

Leistung: Power:	20,2W 20,2W
Anschlusswert: Connection value:	24V DC (-10%/+15%) 24V DC (-10%/+15%)
Anschluss Connection type:	Steckverbinder M12 5pol. A codiert connector M12 5pol. A coded
Gehäuse: Housing:	Aluminium eloxiert anodized aluminium
Schutzart: Protection rating:	IP67 IP67
Schutzklasse: Protection class:	III III
Abdeckung: Cover:	PMMA oder ESG diffus safety glass or PMMA diffuse
Farbtreue: Color rendering:	Ra / CRI ≥ 80 Ra / CRI ≥ 80
Lebensdauer: Durability:	min. 60 000h min. 60 000h
Max. Umgebungstemperatur: Max. ambient temperature:	-20°C / +45°C -20°C / +45°C
Optik: Optics:	120° Optik 120° optics
Belegung: Pin assignment:	1 = DC (+) br br 2 = Eco (DC+) ws wh 3 = DC (-) bl bl 4 = NC 5 = NC

Normen / Approbationen Standards / Approvals

DIN EN 55015 (EMV)
DIN EN 61547 (EMV)
DIN EN 60598-1
DIN EN 62471



Maschinenbau



Medizintechnik



Erneuerbare
Energien



Mobile
Automation



E-Mail

sales@sangel.com



Hotline

+49 521.911750

Nomenklatur Nomenclature	Katalognr. Catalogue no.	Abdeckung Cover	Optik Optics	Lichtstrom Luminous flux	Lichttemperatur Light temp.
-----------------------------	-----------------------------	--------------------	-----------------	-----------------------------	--------------------------------

Drehbare Halterung | Turnable mounting

LED LR40 715 PMMAAd-0-M12-57	15070545	PMMA diffus PMMA diffuse	120° Optik 120° optics	ca. 2246 lm	5.700K
LED LR40 715 ESGd-0-M12-57	15070546	ESGd diffus safety glass diffuse	120° Optik 120° optics	ca. 2246 lm	5.700K
LED LR40 715 PMMAAd-0-M12-40	15070549	PMMA diffus PMMA diffuse	120° Optik 120° optics	ca. 2246 lm	4.000K
LED LR40 715 ESGd-0-M12-40	15070550	ESGd diffus safety glass diffuse	120° Optik 120° optics	ca. 2246 lm	4.000K
LED LR40 715 ESGd-30-M12-57	15070616	ESGd diffus safety glass diffuse	30° Optik 30° optics	ca. 2246 lm	5.700K
LED LR40 715 ESGd-30-M12-40	15070618	ESGd diffus safety glass diffuse	30° Optik 30° optics	ca. 2246 lm	4.000K
LED LR40 715 ESGd-60-M12-57	15070620	ESGd diffus safety glass diffuse	60° Optik 60° optics	ca. 2246 lm	5.700K
LED LR40 715 ESGd-60-M12-40	15070719	ESGd diffus safety glass diffuse	60° Optik 60° optics	ca. 2246 lm	4.000K

Drehbare Halterung mit zweitem Flansch zum Durchschleifen | Turnable mounting with second flange for loop through

LED LR40 715 PMMAAd-0-M12D-57	15070746	PMMA diffus PMMA diffuse	120° Optik 120° optics	ca. 2246 lm	5.700K
LED LR40 715 ESGd-0-M12D-57	15070747	ESGd diffus safety glass diffuse	120° Optik 120° optics	ca. 2246 lm	5.700K
LED LR40 715 PMMAAd-0-M12D-40	15070748	PMMA diffus PMMA diffuse	120° Optik 120° optics	ca. 2246 lm	4.000K
LED LR40 715 ESGd-0-M12D-40	15070749	ESGd diffus safety glass diffuse	120° Optik 120° optics	ca. 2246 lm	4.000K
LED LR40 715 ESGd-30-M12D-57	15070762	ESGd diffus safety glass diffuse	30° Optik 30° optics	ca. 2246 lm	5.700K
LED LR40 715 ESGd-30-M12D-40	15070763	ESGd diffus safety glass diffuse	30° Optik 30° optics	ca. 2246 lm	4.000K
LED LR40 715 ESGd-60-M12D-57	15070764	ESGd diffus safety glass diffuse	60° Optik 60° optics	ca. 2246 lm	5.700K
LED LR40 715 ESGd-60-M12D-40	15070765	ESGd diffus safety glass diffuse	60° Optik 60° optics	ca. 2246 lm	4.000K

Technische Änderungen vorbehalten. Lichtstrom und Lichtfarbe können variieren.
Subject to technical changes. The luminous flux and colour temperature may vary.